

# Slim Linear

Surface & Recessed | Architectural LED Linear



The revolutionary, sleek design of the LS is aesthetically pleasing to any space. It supports both surface and recessed mounts. It features popular 4", 6" width and 2', 4' length. Most of our customers have been struggling with inventory control, thanks to the wattage adjustable and CCT selectable technology, you can now fulfill more orders with fewer SKUs to win more projects! It works with most applications which will be your go-to-choice for offices, schools, hospital, corridor light industrial spaces or anywhere stylish lines of light are desired.



## Feature

Ultra thin profile, only 0.94" thickness

Built-in driver

Available in 4", 6" width and 2', 4' length

Wattage adjustable (50%/75%/100%)

CCT selectable from 3000K, 3500K and 4000K

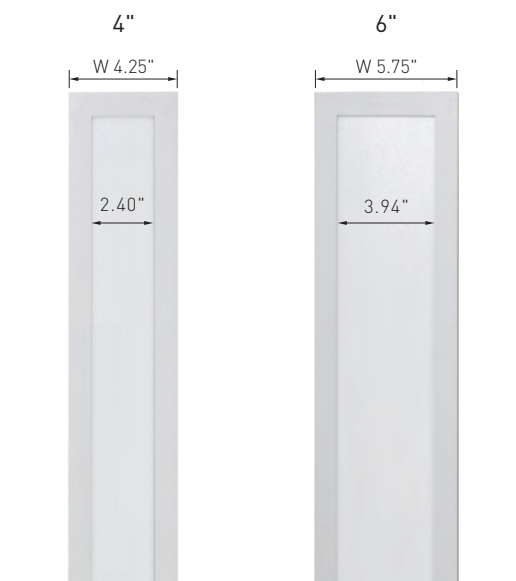
Available in surface mounted and recessed



## PERFORMANCE

| Width | Lumen Output     |                   |                 |
|-------|------------------|-------------------|-----------------|
|       | High             | Medium            | Low             |
| 4"    | 850lm/ft, 10w/ft | 630lm/ft, 7.5w/ft | 420lm/ft, 5w/ft |
| 6"    | 900lm/ft, 10w/ft | 670lm/ft, 7.5w/ft | 450lm/ft, 5w/ft |

Remark: 2ft is 20W, not available for wattage adjustable. All efficacy is ±5% base on different CCT. Check the IES file to gain the accurate data.



# Slim Linear

Surface & Recessed | Architectural LED Linear



## PRODUCT PERFORMANCE

### Construction

Extruded aluminum housing.

### Electrical

|               |  |
|---------------|--|
| LED Driver    | Internal driver makes it only 0.94" thickness  |
| Dimming       | Powered by high efficiency LED driver, with a standard 1-10V dimming which continuous dims to 10% that works with many types of controls. Tested Dimmers: Lutron @ Diva-Dvtv, Leviton @ IP-710-DL. |
| THD           | <20%   |
| Power Factor  | >0.9   |
| Input Voltage | Standard electronic driver is UL recognized and available for 110-277V or 110-347V AC*.  |

### LED System

|                    |  |
|--------------------|--|
| CRI                | Minimum 80 color rendering index   |
| CCT                | The choice of 3000K, 3500K, 4000K, 5000K color temperature or CCT selectable from 3000K, 3500K and 4000K with a great color consistency. |
| LED                | life Minimum 50,000h with 87.8% of lumen maintenance in 25°C ambient temperature, in compliance with IES LM-80 testing measurements.     |
| Thermal Management | Aluminum housing acting as the heat sink to maximize life.   |

### Mounting

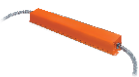
Surface - Surface mounted kit  
Recessed - Driver box

### Approvals

- cULus listed for damp locations
- 5-year Limited Warranty

### Optional Function

Emergency Option



Optional high voltage 8W emergency LED driver EM-H08170-LBF can be provided. When AC power fails, it immediately switches to the emergency mode, operating for lighting up to 120 minutes. When AC power is restored, it automatically returns to the charging mode which meets critical life-safety lighting requirements. For more info or spec sheet, please visit our website or contact sales.

Emergency Lumen Output:

| Fixture Efficacy | Output Power 8w |
|------------------|-----------------|
| 90lm/w           | 700 Lumens      |

Sensor Option

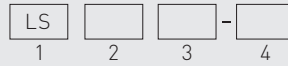


We can provide a factory-installed integrated sensor system for multi-level control based on motion and/or daylight contribution with BR1810BI-level & daylight harvest microwave sensor from SHARKWARD. For more info or spec sheet, please contact sales.

## PRODUCT ORDERING GUIDE

### Sample

LS 2 4 - TWT  
1 2 3 4



### 1. Base Model

LS

### 2. Length

- 2 2feet \*  
 4 4feet

### 3. Width

- 4 4 inch  
 6 6 inch

### 4. CCT

- TWT CCT selectable (3000K/3500K/4000K)  
Wattage adjustable (50%/75%/100%)  
(Only for 4')
- 30E 3000K \*  
 35E 3500K \*  
 40E 4000K \*  
 50E 5000K \*

## OPTIONAL ORDERING GUIDE

### Mounting Option

- Surface Mounted  
 Recessed (Order Driver Box Separated)

### Optional Function

- LED Emergency Driver (Order Separated)  
 Sensor \*

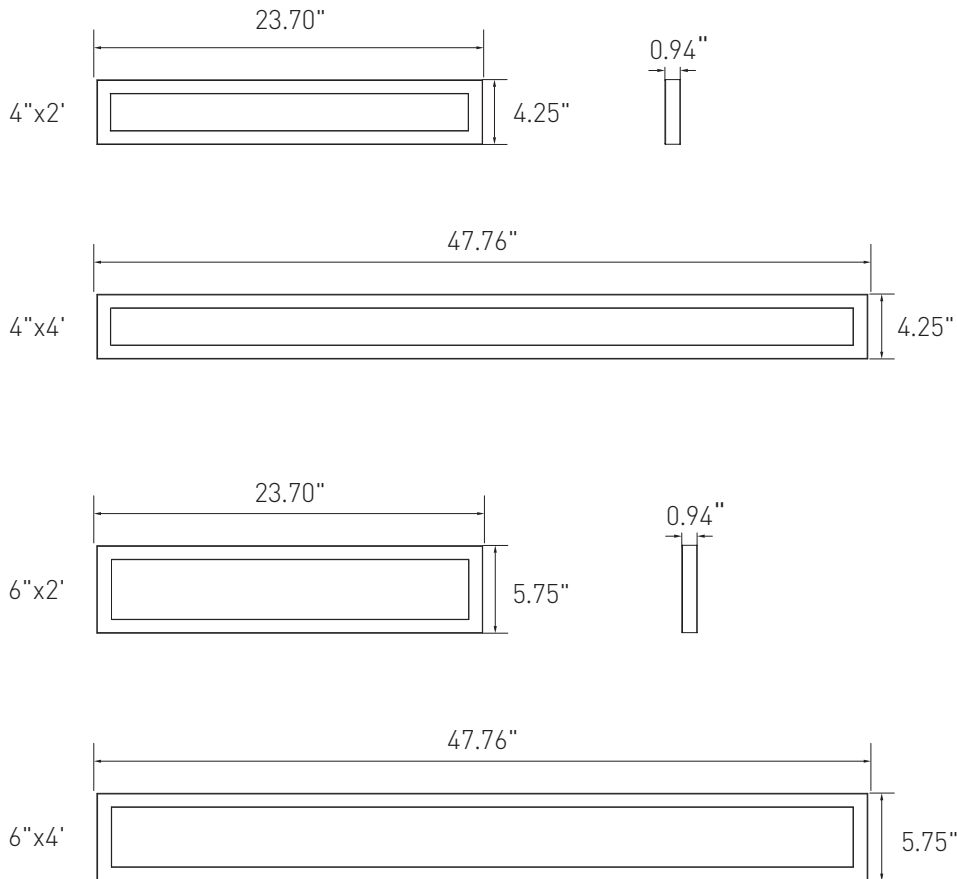
\*Additional cost and/or lead time on customized fixtures may apply. Some fixtures require an MOQ. Please contact your sales rep for more information.

# Slim Linear

Surface & Recessed | Architectural LED Linear



## DIMENSION



## MOUNTING KIT

### 1. Surface-Surface Mounted Kit



This metal plate is equipped with screw holes for bolting to the ceiling, and 4 small static corner hooks on the mounting plate.

### 2. Recessed-Driver Box



This metal box is equipped with screw holes for bolting to the fixture to protect wires.

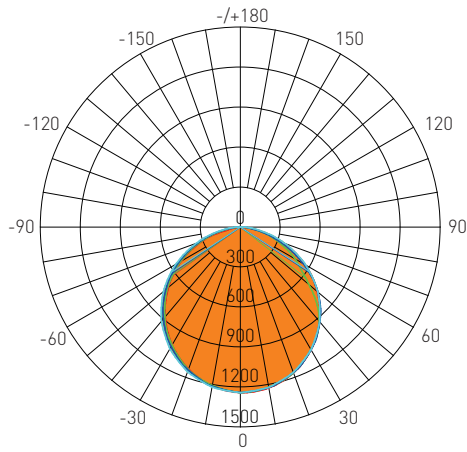
# Slim Linear

Surface & Recessed | Architectural LED Linear



## DISTRIBUTION DIAGRAM

4"x4'



AVERAGE BEAM ANGLE(50%): 111.2°

Test Number: LS44-40W  
 Lumens: 3773.4 Lm  
 Watts: 40 W  
 LPW: 94.34 Lm/W  
 CCT: 4000K

UNIT:cd  
 — C0/180,111.5°  
 — C30/210,106.9°  
 — C60/240,112.4°  
 — C90/270,114.0°

Zonal Flux Diagram

| τ  | C0    | C45   | C90   | C135  | C180   |
|----|-------|-------|-------|-------|--------|
| 5  | 1161  | 1157  | 1158  | 1158  | 1162   |
| 10 | 1144  | 1142  | 1149  | 1143  | 1145   |
| 15 | 1116  | 1119  | 1121  | 1121  | 1118   |
| 20 | 1079  | 1081  | 1092  | 1082  | 1081   |
| 25 | 1034  | 1040  | 1046  | 1039  | 1035   |
| 30 | 979.6 | 987.7 | 999.2 | 975.3 | 979.5  |
| 35 | 917.4 | 926.8 | 936.4 | 896.2 | 915.6  |
| 40 | 848.0 | 861.8 | 873.5 | 814.1 | 844.4  |
| 45 | 772.4 | 773.0 | 796.0 | 700.0 | 765.8  |
| 50 | 690.2 | 658.7 | 718.5 | 566.7 | 681.2  |
| 55 | 603.1 | 539.1 | 628.2 | 454.6 | 590.0  |
| 60 | 510.9 | 441.1 | 537.9 | 362.9 | 494.5  |
| 65 | 411.5 | 356.9 | 438.3 | 285.2 | 393.4  |
| 70 | 309.9 | 269.0 | 338.8 | 209.2 | 288.9  |
| 75 | 201.6 | 185.0 | 240.6 | 136.6 | 170.1  |
| 80 | 112.0 | 107.5 | 142.4 | 75.01 | 50.70  |
| 85 | 25.08 | 46.18 | 73.35 | 29.85 | 9.004  |
| 90 | 1.375 | 4.618 | 4.269 | 2.435 | 0.4506 |

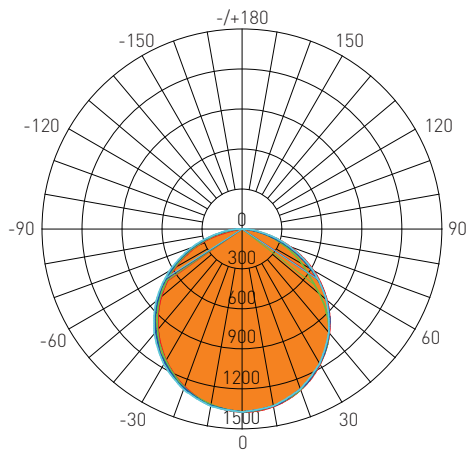
Zonal Lumens

| τ     | φ total |
|-------|---------|
| 0-5   | 27.77   |
| 5-10  | 110.1   |
| 10-15 | 244.1   |
| 15-20 | 425.3   |
| 20-25 | 647.4   |
| 25-30 | 902.8   |
| 30-35 | 1183    |
| 35-40 | 1477    |
| 40-45 | 1777    |
| 45-50 | 2067    |
| 50-55 | 2338    |
| 55-60 | 2580    |
| 60-65 | 2788    |
| 65-70 | 2955    |
| 70-75 | 3078    |
| 75-80 | 3158    |
| 80-85 | 3198    |
| 85-90 | 3211    |

Luminance cd/(m2)

| G(DEG) | C0/180 | C90/270 |
|--------|--------|---------|
| 85     | 3986   | 11657   |
| 80     | 8930   | 11361   |
| 75     | 10786  | 12876   |
| 70     | 12551  | 13720   |
| 65     | 13486  | 14365   |
| 60     | 14153  | 14899   |
| 55     | 14562  | 15169   |
| 50     | 14873  | 15483   |
| 45     | 15129  | 15592   |

6"x4'



AVERAGE BEAM ANGLE(50%): 111.5°

Test Number: LS46-40W  
 Lumens: 3869.8 Lm  
 Watts: 40 W  
 LPW: 96.75 Lm/W  
 CCT: 4000K

UNIT:cd  
 — C0/180,111.7°  
 — C30/210,108.0°  
 — C60/240,112.7°  
 — C90/270,113.7°

Zonal Flux Diagram

| τ  | C0     | C45   | C90   | C135  | C180   |
|----|--------|-------|-------|-------|--------|
| 5  | 1386   | 1382  | 1383  | 1384  | 1389   |
| 10 | 1366   | 1364  | 1372  | 1367  | 1370   |
| 15 | 1333   | 1336  | 1338  | 1341  | 1339   |
| 20 | 1289   | 1291  | 1304  | 1295  | 1295   |
| 25 | 1234   | 1241  | 1248  | 1244  | 1240   |
| 30 | 1170   | 1178  | 1192  | 1180  | 1174   |
| 35 | 1096   | 1105  | 1116  | 1105  | 1098   |
| 40 | 1014   | 1027  | 1041  | 1019  | 1012   |
| 45 | 924.1  | 926.5 | 947.5 | 879.8 | 918.3  |
| 50 | 826.7  | 806.0 | 854.3 | 720.4 | 817.1  |
| 55 | 723.2  | 665.0 | 745.9 | 582.6 | 708.4  |
| 60 | 613.7  | 540.6 | 637.4 | 463.8 | 594.0  |
| 65 | 496.7  | 434.4 | 518.5 | 363.1 | 474.2  |
| 70 | 376.5  | 328.5 | 399.5 | 268.3 | 350.8  |
| 75 | 250.2  | 223.0 | 283.5 | 177.4 | 214.9  |
| 80 | 135.1  | 128.5 | 167.4 | 99.54 | 68.68  |
| 85 | 29.57  | 54.04 | 85.37 | 40.78 | 18.34  |
| 90 | 0.7982 | 4.035 | 3.376 | 2.877 | 0.4350 |

Zonal Lumens

| τ     | φ total |
|-------|---------|
| 0-5   | 33.18   |
| 5-10  | 131.5   |
| 10-15 | 291.7   |
| 15-20 | 508.1   |
| 20-25 | 773.7   |
| 25-30 | 1079    |
| 30-35 | 1415    |
| 35-40 | 1769    |
| 40-45 | 2128    |
| 45-50 | 2478    |
| 50-55 | 2806    |
| 55-60 | 3099    |
| 60-65 | 3351    |
| 65-70 | 3554    |
| 70-75 | 3706    |
| 75-80 | 3804    |
| 80-85 | 3854    |
| 85-90 | 3870    |

Luminance cd/(m2)

| G(DEG) | C0/180 | C90/270 |
|--------|--------|---------|
| 85     | 2924   | 8444    |
| 80     | 6708   | 8309    |
| 75     | 8333   | 9441    |
| 70     | 9489   | 10070   |
| 65     | 10132  | 10576   |
| 60     | 10581  | 10990   |
| 55     | 10870  | 11210   |
| 50     | 11087  | 11458   |
| 45     | 11267  | 11552   |